

STABILISING JACKS, ROOF LADDERS, EXHAUST FINISHERS, STEPS & LEVELLING BLOCKS



Exterior

The Stabilising Jacks are designed for use with Caravans, Motorhomes, Trailers and Specialist Vehicles requiring a steadying load capacity of 450 kg per jack. Fashioned in steel and protected by black powder coating or galvanised, this stabilising jacks differ from the traditional scissors design and affords notable practical advantages in operation. Just a few seconds are needed to move the jacks into the operating or the stowed traveling position.

FITTING INSTRUCTIONS

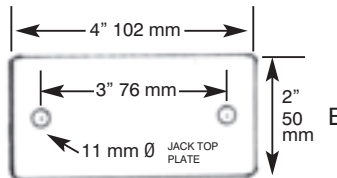
- * The jacks can be bolted (preferred method) or welded. Bolt the mounting flange to a suitable surface using self-locking nuts and bolts. In selecting a suitable position always take into consideration the 450-kg load capacity per jack.
- * In some situations it may prove necessary to fabricate a bracket off the chassis/body to mount the jacks. In this case make sure it is sufficient to take the 450-kg per jack loading.
- * NB : in the stowed position, the jacks require a minimum inboard clearance of 350mm for model 45, and 450mm for model 55 (see fig 2).

DIRECTIONS FOR USE

- * The jacks have two detent positions, stowing horizontally for traveling and angled downwards for use.
- * Simply pull the leg to the point of freeing the spring-loaded catch from the detent slot. Lock the leg in the jacking position detent.
- * Lower the leg initially by holding down the locking tab and allowing inner jack tube to slide out to rest on the ground.
- * Insert the jack rod through the front socket (fig3), ENSURING THAT THE END LOCATES IN THE SOCKET IN THE REAR WALL OF THE LEG, and apply downward hand pressure, with little effort the inner leg will extend down. Repeat the action until the vehicle or trailer is stable.
- * To release the jacks, apply pressure to the locking tab, which can be loosened by tapping smartly with the rod if need be. The leg can now be retracted by hand without difficulty and swung upwards to lock automatically in the stowed position (fig 2)

TECHNICAL DATA

Material:	Heavy gauge steel
Protection:	Zinc plated
Jack pad footprint:	25cm 2 per jack
Adjustment:	MDL 45 290mm to 450mm
	MDL 55 390mm to 550mm
Stabilising capacity:	450kg per jack static
Jacking capacity:	300kg per jack



The jacks are available in pairs, packaged as a kit with one jacking rod.

ATSJ45G	MD 45 jack kit galvanised
ATSJ55G	MD 55 jack kit galvanised

ALUMINIUM FOLDING EXTERIOR ROOF ACCESS LADDERS

Supplied with four loose fixing brackets to fix to your choice (shown in photograph affixed for clarity). Folding stirrup on lower folding section to distance ladder away from bodywork for safe climbing. Ladder side rails extended above top rung to provide hand grip loop for safety while getting on and off the roof. Product may differ to picture. Spare mounting brackets available. **BLFSFB**

BLF3210 Folding access ladder 9 steps & fixing brackets

BLFLOCK Security lock for BLF3210

EXHAUST END FINISHERS

Keeps your motorhome cleaner from exhaust soot deposits. While displaying a smart appearance to exhaust end. The finisher have been specially developed to direct exhaust exit down through base of finisher, while appearing to leave a normal round end to the exhaust. As no exhaust gases leave through this end it remains clean of black deposits, and so do your sidewalls. Gloss chrome finish adds to appearance, new aluminised finish will keep appearance longer than chrome plated (more corrosion-proof). L= length of finisher, ID= internal diameter, OD= outside diameter. All sizes mm.

EXH103D70	Finisher chromed straight exit L 360 ID 67 OD 70
EXH180D60	Finisher chromed straight exit L 256 ID 57 OD 60
EXH183D63	Finisher chromed straight exit L 255 ID 60 OD 63
EXH181D60	Finisher chromed downwards exit L 256 ID 57 OD 60
EXH100D70	Finisher chromed downward exit L 213 ID 67 OD 70
EXH280D70	Finisher aluminised downward exit L 213 ID 67 OD 70
EXH101D70	Finisher chromed downward exit L 258 ID 64 OD 70
EXH281D70	Finisher aluminised downward exit L 258 ID 64 OD 70
EXH282D76	Finisher aluminised downward exit L 206 ID 73 OD 76/70
EXH283D79	Finisher aluminised downward exit L 204 ID 76 OD 79/70
EXH284D70	Finisher aluminised downward exit L 290 ID 67 OD 70
EXH285D70	Finisher aluminised downward exit L 260 ID 67 OD 70

Boxer/Ducato/Relay 1994-2002 EXH100D70, EXH280D70, EXH284D70, EXH285D70.

Boxer/Ducato/Relay 2002-on With rim cut off EXH101D70, EXH281D70.

Ducato 14 2002 ON Without rim cut off EXH282D76.

Ducato 18 2002 ON Without rim cut off EXH283D79.

Daily, Sprinter/VW LT 97 on With rim cut off EXH100D70, EXH280D70, EXH284D70 & EXH285D70.

PLASTIC PORTABLE ENTRANCE STEP

New portable plastic entrance steps for caravans & motorhomes produced in high grade grey plastic. Produced in two versions. **ESP603G** our standard step has a safe load of 150 kg and dimensions of 410mm x 270mm x 220mm. **ESP601G** our OEM spec step is designed to meet EN1645 - 1646 for supply by manufacturers with original equipment. The step has a greater safe load of 250kg and larger dimensions of 450mm x 350mm x 250mm.

ESP601G ENTRANCE STEP PLASTIC GREY EN SPEC

ESP603G ENTRANCE STEP PLASTIC GREY STANDARD

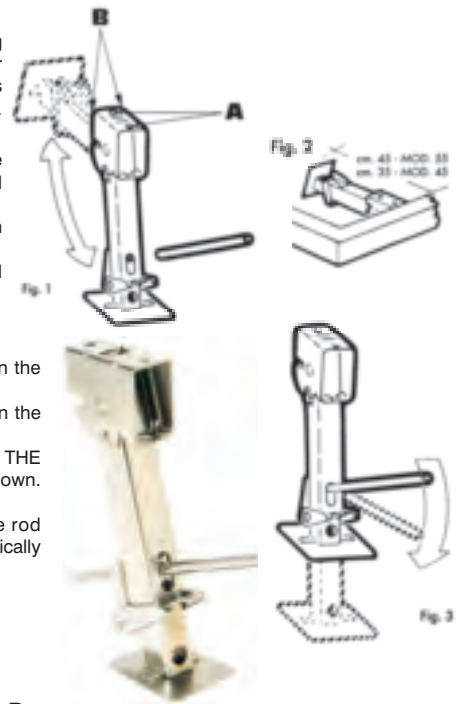
LEVELLING BLOCK SETS

Level blocks are designed to level up your vehicle on uneven pitches. Simply place the leveling chocks in front of the wheel you wish to raise and drive up the ramp slowly. Made of strong plastic, they are easy to clean and will not corrode. SUPPLIED 2 X BLOCKS IN A NEAT STORAGE BAG.

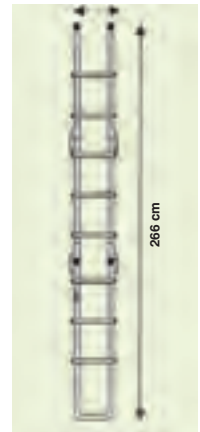
LVC3230 LEVEL BLOCKS STANDARD CARAVAN

LVC3231 LEVEL BLOCKS TRIO MOTORHOME

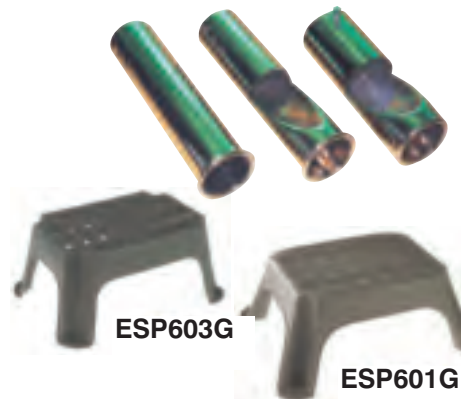
LVC3232 PAIR OF ANTI SLIP PLATES FOR LEVEL BLOCKS



BLF3210

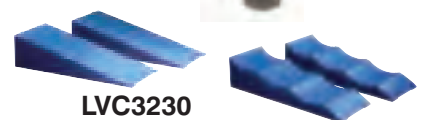


BLF3210



ESP603G

ESP601G

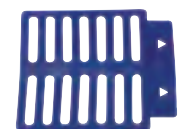


LVC3230

LVC3231



STORAGE BAG



LVC3232

WE NOW OFFER INSTALLATION AND REPAIR SERVICE BY SupremeTech.co.uk



DOMETIC & CAREFREE AWNINGS

DOMETIC PREMIUM AWNINGS MANUAL & ELECTRIC MODELS

As the world's leading manufacturer of recreational vehicle awnings, Dometic has covered all approaches to motorhome awnings. This new motorhome awning eclipses its competitors by doing away with inconvenient support struts. This means you can use the entire space in front of your recreational vehicle. It completely eliminates the awkward, time-consuming setup of conventional awnings.

Both the Manual & Electric awnings show-stopper is the arm joint manufactured from forged steel – patent pending. This focal component of the ingenious mechatronics facilitates use of the awning without support struts. The electric variant of the Dometic Premium Awning is an innovation that is particularly convenient and safe. The electric version in particular is thus the benchmark regarding convenience and safety, fully automatic and operated at the touch of a button on the remote control. Also as standard on electric models is a wind sensor automatically retracts the awning when wind force reaches critical levels.

All optional items for the awning range available to order.



AWNING MANUAL			Housing white, fabric blue	Housing white, fabric silver	Housing silver, fabric blue	Housing silver, fabric silver	Housing anthracite, fabric blue	Housing anthracite, fabric silver
Width of Fabric (cm)	Extension (cm)	Weight (kg approx.)	ORDER CODE	ORDER CODE	ORDER CODE	ORDER CODE	ORDER CODE	ORDER CODE
260	250	22.9	DAM9108689939	DAM9108689943	DAM9108689941	DAM9108689944	DAM9108689942	DAM9108689945
313	250	27.0	DAM9108690073	DAM9108690076	DAM9108690074	DAM9108690077	DAM9108690075	DAM9108690078
355	250	27.2	DAM9108689548	DAM9108689652	DAM9108689866	DAM9108689875	DAM9108689867	DAM9108689876
405	250	31.1	DAM9108689868	DAM9108689654	DAM9108689869	DAM9108689877	DAM9108689870	DAM9108689878
474	250	41.8	DAM9108690087	DAM9108690090	DAM9108690088	DAM9108690091	DAM9108690089	DAM9108690092
505	250	44.2	DAM9108689653	DAM9108689879	DAM9108689871	DAM9108689880	DAM9108689872	DAM9108689881
AWNING ELECTRIC			ORDER CODE	ORDER CODE	ORDER CODE	ORDER CODE	ORDER CODE	ORDER CODE
256	250	25.0	DAE9108689953	DAE9108689956	DAE9108689954	DAE9108689957	DAE9108689955	DAE9108689958
308	250	28.0	DAE9108690079	DAE9108690083	DAE9108690080	DAE9108690085	DAE9108690082	DAE9108690086
350	250	29.3	DAE9108689547	DAE9108689550	DAE9108689964	DAE9108689966	DAE9108689965	DAE9108689967
400	250	33.1	DAE9108689968	DAE9108689552	DAE9108689969	DAE9108689971	DAE9108689970	DAE9108689972
469	250	43.8	DAE9108690093	DAE9108690096	DAE9108690094	DAE9108690097	DAE9108690095	DAE9108690098
500	250	46.2	DAE9108689551	DAE9108689983	DAE9108689980	DAE9108689982	DAE9108689981	DAE9108689984

CAREFREE FREEDOM AWNINGS- 12 VOLT AND MANUAL AWNINGS

- Sleek Look, Light Weight
- Same Small box design no matter the awning length
- Mounts using awning rail or mounting brackets
- Support arms adjust easily with flip lock controls
- Patented floating roller technology that keeps roll tube straight and canopy tight
- Features sturdy Aluminium Case and end caps- No Plastic!
- Full or partial extension- if you don't have the space to fully extend, you can stop at any point and set up the Freedom Awning
- Manual override on 12v model in case of power loss

The Carefree Freedom Awning is available in Wall or Roof Mount Versions. It can be operated by simply holding a button (12 volt models) or by easily winding the crank. Due to the arms being stored within the lead bar they are never far from reach. There is a choice of 3 magnificent hardware colours and 2 stunning vinyl options. If you already have a Freedom Manual awning and would like the Electric Version then don't despair! Upgrading to an Electric Version is easy. All you would need is the 12v Upgrade Kit, which will fit into your existing Carefree awning hardware.



Mounting brackets, awning rooms and accessories available. Satin Silver casing options available and other awning sizes ask for availability.

AWNING MANUAL WALL MOUNT			Housing white, fabric blue slate fade	Housing white, fabric silver fade
Width of Casing (cm)	Extension (cm)	Weight (kg approx.)	ORDER CODE	ORDER CODE
257	200	20.4	CFAW257WBFM	CFAW257WSFM
300	250	23.7	CFAW300WBFM	CFAW300WSFM
350	250	26.4	CFAW350WBFM	CFAW350WSFM
400	250	28.9	CFAW400WBFM	CFAW400WSFM
450	250	34.3		
500	250	37.0		
AWNING ELECTRIC WALL MOUNT			ORDER CODE	ORDER CODE
257	200	21.7	CFAW257WBFE	CFAW257WSFE
300	250	25.0	CFAW300WBFE	CFAW300WSFE
350	250	27.7	CFAW350WBFE	CFAW350WSFE
400	250	30.2	CFAW400WBFE	CFAW400WSFE
450	250	36.5		
500	250	39.2		

AWNING MANUAL ROOF MOUNT			Housing white, fabric blue slate fade	Housing white, fabric silver fade
Width of Casing (cm)	Extension (cm)	Weight (kg approx.)	ORDER CODE	ORDER CODE
257	200	23.0		
300	250	25.4	CFAR300WBFM	CFAR300WSFM
350	250	29.7	CFAR350WBFM	CFAR350WSFM
400	250	32.2	CFAR400WBFM	CFAR400WSFM
450	250			
500	250			
AWNING ELECTRIC ROOF MOUNT			ORDER CODE	ORDER CODE
257	200	22.6		
300	250	26.3	CFAR300WBFE	CFAR300WSFE
350	250	29.3	CFAR350WBFE	CFAR350WSFE
400	250	32.2	CFAR400WBFE	CFAR400WSFE
450	250			
500	250			

WE NOW OFFER INSTALLATION AND REPAIR SERVICE BY SupremeTech.co.uk



0844 414 2324



0844 414 2425